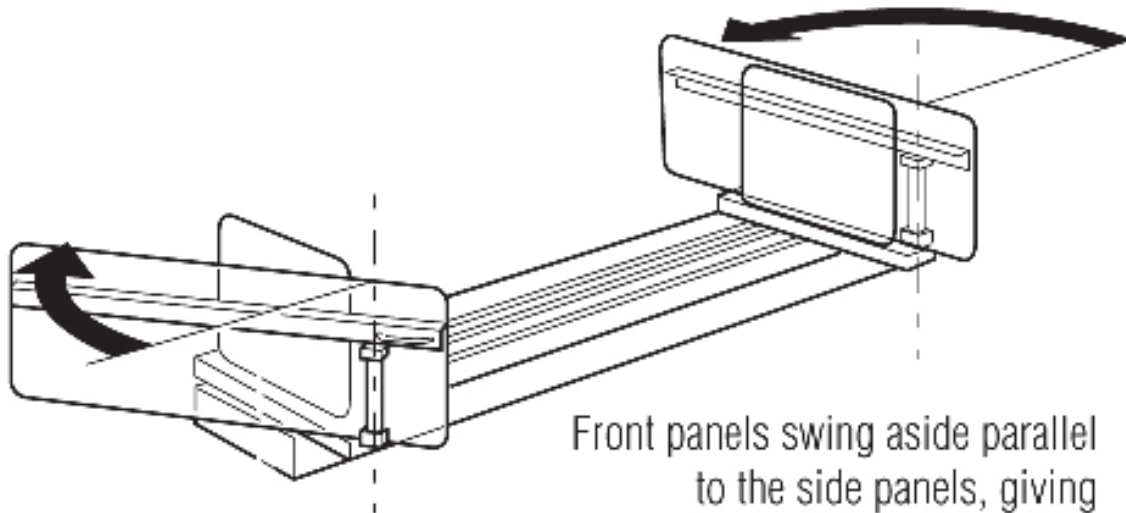


Each front panel slides aside giving access to the table and cutter.



Front panels swing aside parallel to the side panels, giving maximum access to the table.