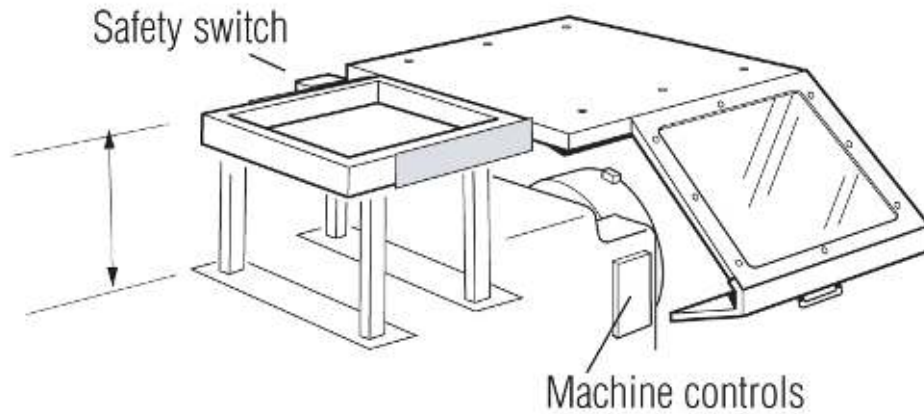
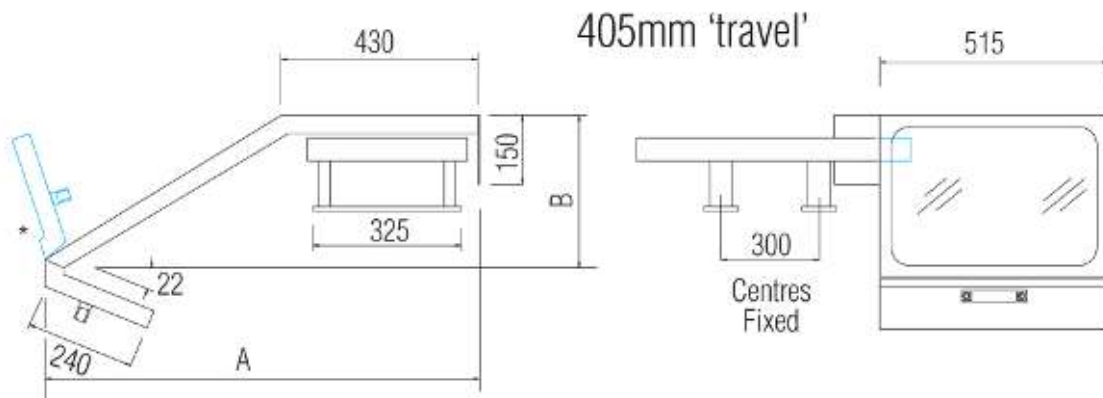




Guard designed to allow access to machine controls when the guard is in the closed position



150-250mm adjustable height standard
(made to order over 250mm height)



* optional vertical front flap available on request as models MNR001/002