

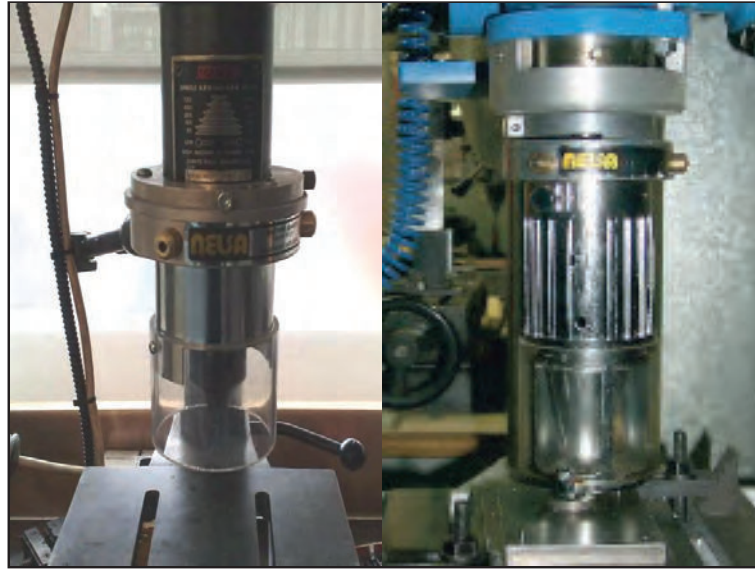
## features

Gives complete operator protection and clear vision of the job

Smooth telescopic action

Patented spiral guide groove gives radial movement to prevent jamming by swarf

Unique sprung ball catch allows quick and easy access to the chuck, after slackening the retaining screws



## Drill Guards

### DXS safetispeed drill guards

The Guard has been specially developed to give maximum all round protection for the operator with a high standard of visibility without adversely affecting operation time.

The drill guard consists of two major components. The drill guard mounting which is fitted to the quill of the machine and the drill guard sleeves which clip into the mounting and are held in position by three spring loaded ball catches and retaining screws.

The guard consists of two or three sleeves, the inner sleeve being a ribbed cage which is held stationary in the guard holder. The outer sleeve is free to move up and down on the inner cage and is fitted with a guide groove which gives radial movement to the outer sleeve thus preventing jamming.

The outer sleeve is fitted with a transparent acrylic window (as standard) held in position by two slideways and a retaining screw. The window can be quickly removed and replaced at regular intervals giving maximum visibility at all times. The outer sleeve rests on the piece part or jig. As the drilling operation takes place the inner cage moves down and automatically protects the window from metal slivers which are cut up by the edges of the inner cage.

The standard 'A' type drill guard mounting (i.e. DXS-500) is bored suitable for a quill diameter of 70mm. The thirteen sizes of reducing bushes will cover any quill diameter down to a maximum of 37.85mm. If a bush is required, refer to the table opposite. For sizes above 70mm and to a maximum diameter of 96mm use one of the 3-lug castings either 1L, 2L or 3L depending on orientation or obstruction on quill diameter. For fixed quill diameters above 96mm we can offer our 1F and 2F flanged top mountings.

#### IMPORTANT

Bushes are only used with the 'Type A' top mounting to reduce the bore size from 70mm down to 37.85mm (shown opposite).

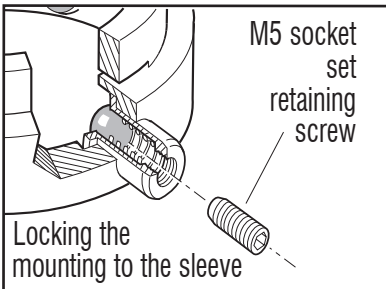
For quill diameters from 70mm up to 95mm the 3-lug Type 1L, 2L and 3L top mountings should be used

#### NOTE: NO BUSHES REQUIRED

For other types of mountings 'Type 1F and 2F' should be used.

## choosing a Safetispeed drill guard

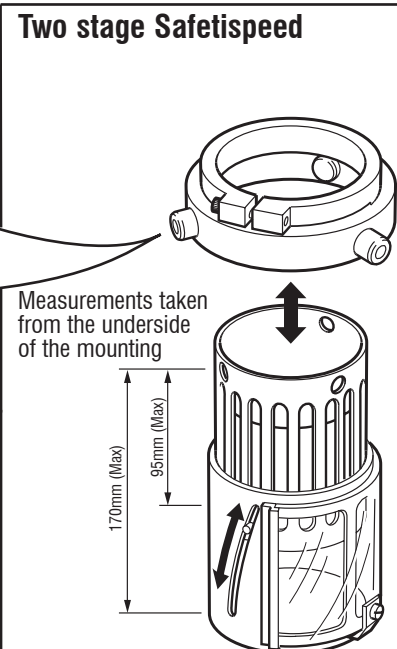
All Safetispeeds shown below have a Standard Type A mounting. Other mounting types are available and are shown on the following page. Reducing bushes are suitable for all drill guards shown on this page.



M5 socket set retaining screw

Locking the mounting to the sleeve

### Two stage Safetispeed



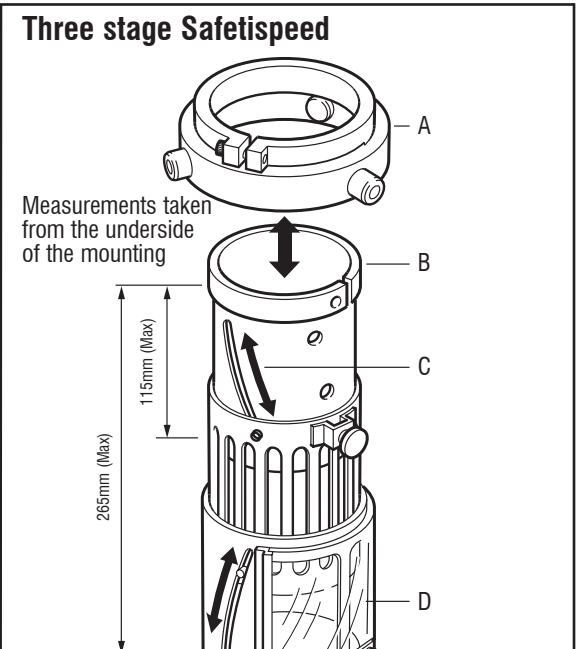
Measurements taken from the underside of the mounting

170mm (Max)

95mm (Max)

MODEL DXS-500

### Three stage Safetispeed



Measurements taken from the underside of the mounting

115mm (Max)

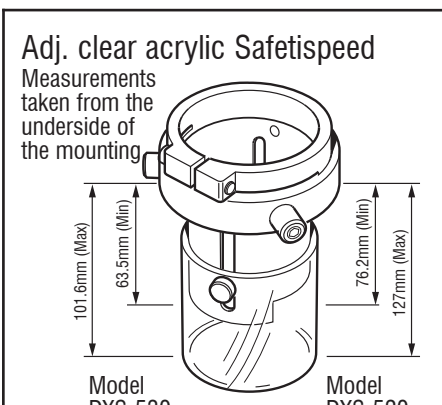
265mm (Max)

MODEL DXS-510

A Guard mounting (clamp)  
B Guard body  
C Radial telescopic action  
D Acrylic window

### Adj. clear acrylic Safetispeed

Measurements taken from the underside of the mounting



101.6mm (Max)

63.5mm (Min)

76.2mm (Min)

127mm (Max)

Model DXS-530

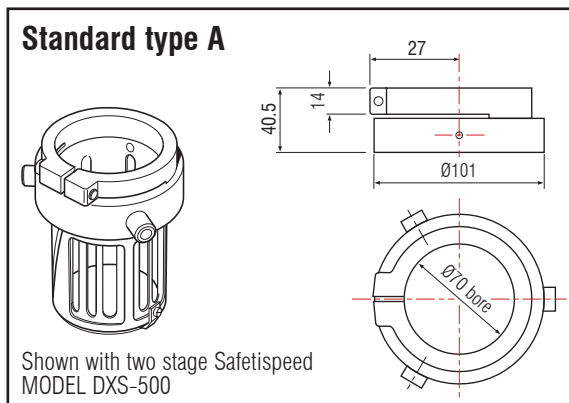
Model DXS-520

For all round visibility with adjustable height fixing. Two sizes available

Choose which type of Safetispeed you require from the above information then choose appropriate fixing collar for your machine.

## mounting type

### Standard type A



40.5

14

27

Ø101

Ø70 bore

Shown with two stage Safetispeed MODEL DXS-500

Standard 70mm Bore drill guard top mounting for use on circular non-rotating Quills of any diameter between 38mm & 70mm by the use of 13 standard adaptor brushes (right).

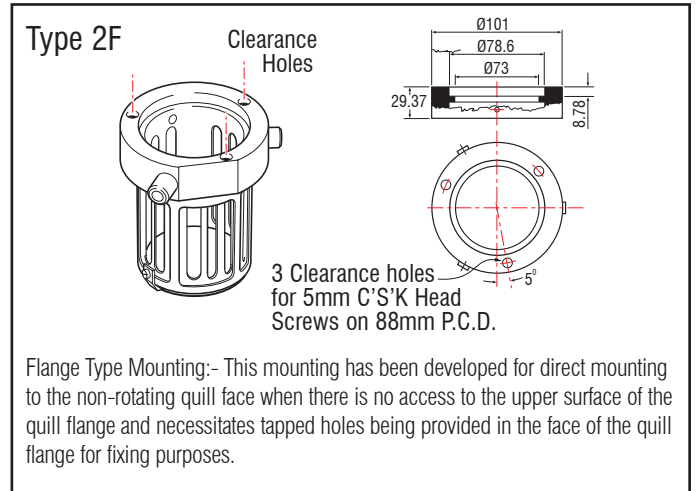
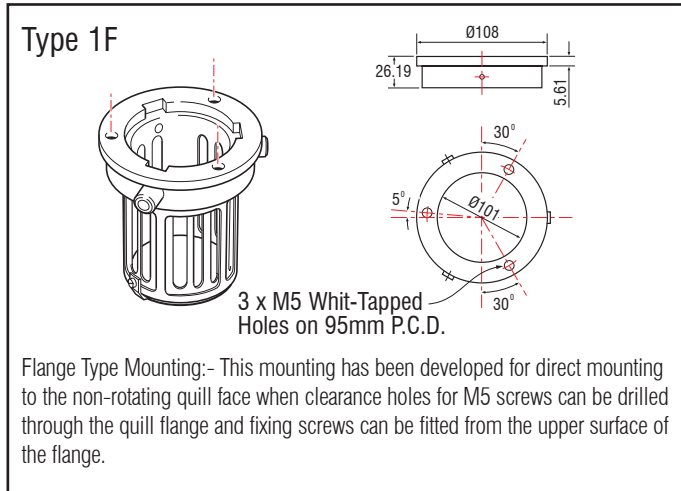
## reducing bushes for standard 'A' mountings



The standard top mounting type 'A' (70mm) can be bushed to accommodate smaller diameters. Refer to the table below.

Quill diameter metric (mm)	Drill guard bush Model Ref
69.85 to 68.33	No brush reqd.
67.00 to 65.35	DXS-010
65.52 to 63.91	DXS-015
63.90 to 62.31	DXS-020
62.30 to 60.78	DXS-025
60.77 to 59.18	DXS-030
59.17 to 57.61	DXS-035
57.60 to 55.90	DXS-040
55.89 to 54.23	DXS-045
54.22 to 52.73	DXS-050
52.72 to 51.31	DXS-055
51.28 to 49.78	DXS-060
49.53 to 48.00	DXS-065
39.37 to 37.85	DXS-070

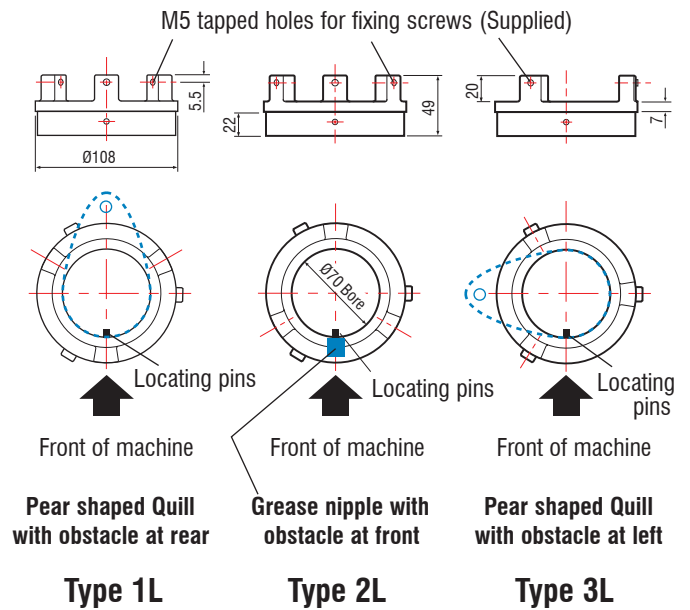
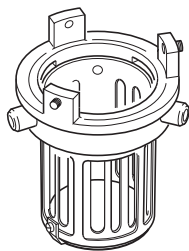
## mounting types - continued



## three lug mounting

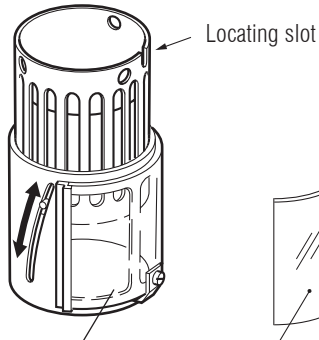
**Three Lug Guard Mounting:-** This type of mounting will accommodate quills ranging in general diameter from Ø70mm to Ø96mm. For quill sizes exceeding Ø96mm Ø96mm use one of the above 1F or 2F castings. This design of mounting as illustrated has been developed to fit irregular shaped non-rotating quills. The mountings can be fitted to 'pear shaped' quills having projecting bosses which carry the depth adjusting screw and dependent on the angular position of the projection in plan view in relation to the front of the machine the appropriate type can be selected, either 1L, 2L or 3L. Also the three lug guard mounting can be used to avoid other obstructions on the fixed drill quill diameter such as grease nipples.

Typical Type 3  
Lug Mounting  
Bored to Ø96mm



The lugs on the fixing collar are bored out to a maximum of Ø96.00mm. The collar is attached to the fixed quill by adjusting the fixing screws to suit the required diameter.

## accessory



Clear Acrylic window,  
DXS 100 as standard

Replacement Clear Acrylic  
window Pt No. 440A-N200006  
(Pack of 5 available)

## selection chart

Type	63.5mm-101.2mm	76.2mm-127mm	2 Stage Cage	3 Stage Cage
Std Collar (Ø70)	DXS530	DXS520	DXS500	DXS510
Type 1L			DXS600/1L	DXS610/1L
Type 2L			DXS600/2L	DXS610/2L
Type 3L			DXS600/3L	DXS610/3L
Type 1F	Special upon application		DXS600/1F	DXS610/1F
Type 2F			DXS600/2F	DXS610/2F

### NOTE

When ordering please specify which mounting is required, eg. DXS-600/2F

You are required to select the bottom section depending on your risk assessment and working length of drills.

## Drill guard top casting selection chart

Machine Details	Drill Guard Top Casting
Ajax - AIBM16 (66mm Quill)	STD "A" & DXS-010 Bush
Ajax - AIPM16 (66mm Quill)	STD "A" & DXS-010 Bush
Arboga - GL2512	3 Lug/2 (Type 2L, 81mm Bore)
Arboga - A2508	3 Lug/2 (Type 2L, 81mm Bore)
Arboga - A3008	3 LUG/2 (Type 2L, 81mm Bore)
Arboga - A2508U	3 LUG/2 (Type 2L, 81mm Bore)
Arboga - GM3512	3 Lug/2 (Type 2L, 93mm Bore)
Arboga - E830	3 Lug/2 (Type 2L, 93mm Bore)
Boxford - PD4 & PD8	STD "A" & DXS-025 Bush
Elliot - Progress 1 & 1S	STD "A" & DXS-020 Bush
Elliot - Progress 2G & 2GS	3 Lug/1L (Type 1L, 83mm Bore)
Meddings - M5/MK3 Series	3 Lug/2L (Type 2L, 88mm Bore)
Meddings - S68	3 Lug/2L (Type 2L, 77mm Bore)
Meddings - S868	3 Lug/2L (Type 2L, 77mm Bore)

Machine Detail	Drill Guard Top Casting
Meddings - CS-30	3 Lug/2L (Type 2L, 77mm Bore)
Meddings - LT/MK3 Series	STD "A" & DXS-020 Bush
Meddings - LB1/111 Series	STD "A" & DXS-020 Bush
F.O'Brian Co. Ltd Fobco Star 1/2" cap	STD "A" & DXS-020 Bush
F.O'Brian Co. Ltd Fobco Star 5/8" cap	STD "A" & DXS-020 Bush
F.O'Brian Co. Ltd Fobco Ten Eight 1 1/4" cap	3 Lug/1L (Type 1L, 89mm Bore)
Stanton Thompson - J.G.H.	STD "A" & DXS-010 Bush
Stanton Thompson - Gima	3 Lug/1L (Type 1L, 85mm Bore)
Startrite - Mercury MK 2, 5 speed	Flanged/1F
Startrite - Mercury MK 2, 10 speed	STD "A" & DXS-020 Bush