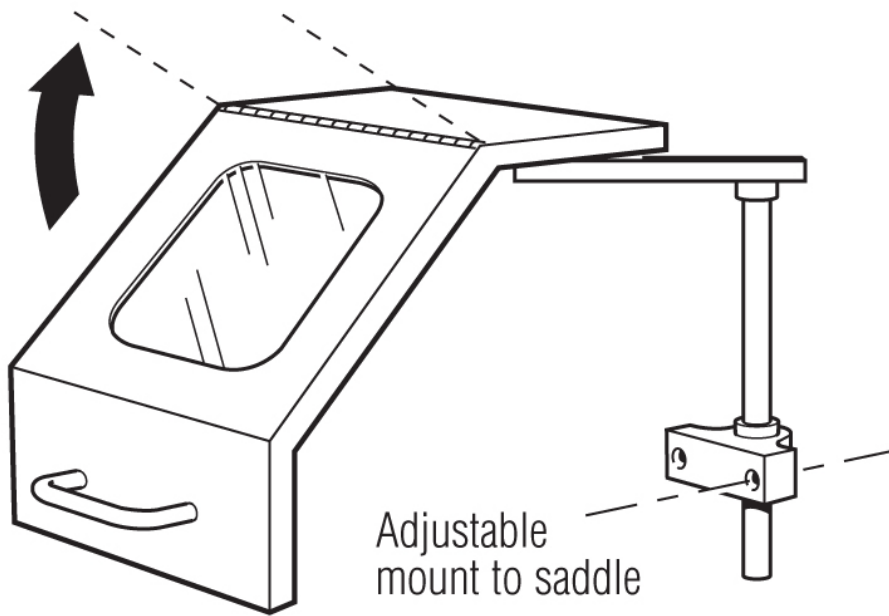
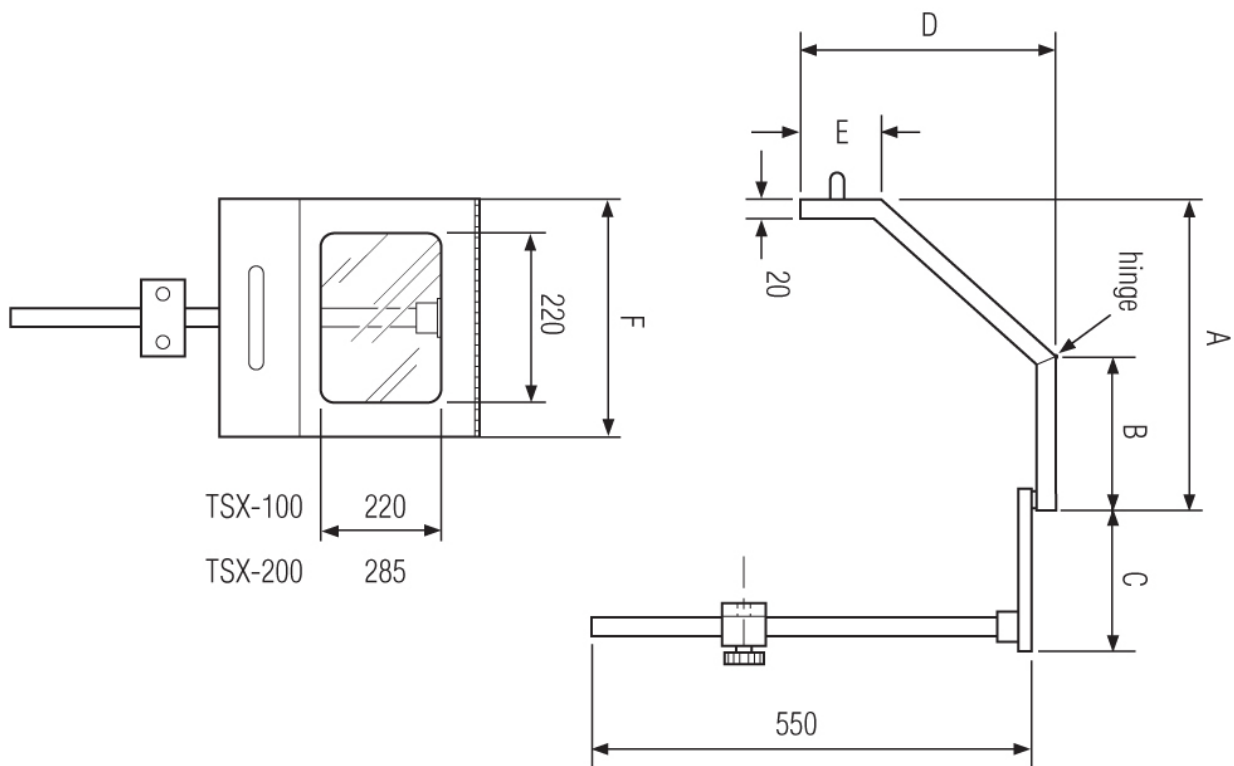


Hinges up
for access



Adjustable
mount to saddle



Nelsa Lathe Guard - TXS