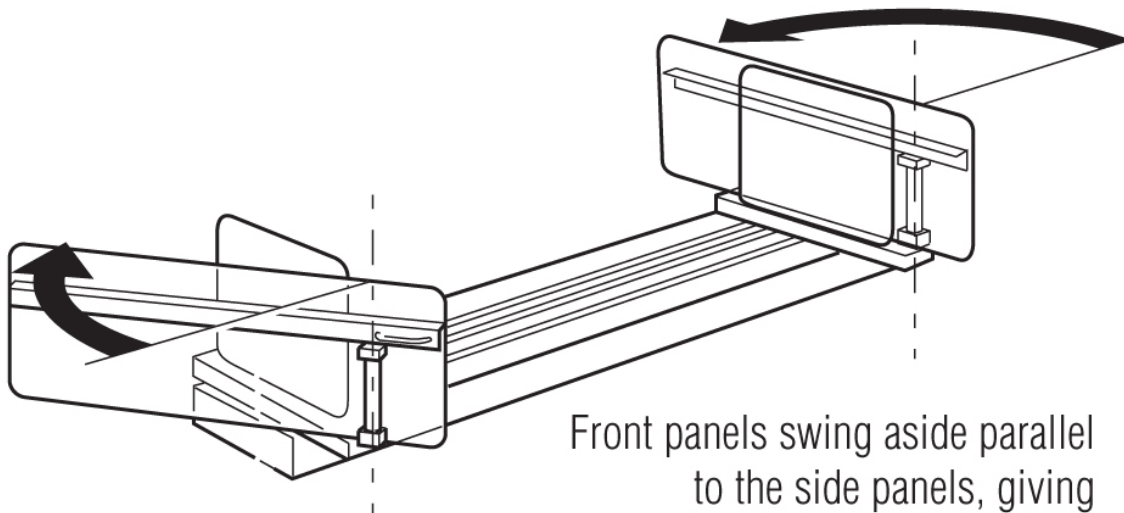


Each front panel slides aside giving access to the table and cutter.



Front panels swing aside parallel to the side panels, giving maximum access to the table.

Nelsa Milling Machine Guard - SSA