

features

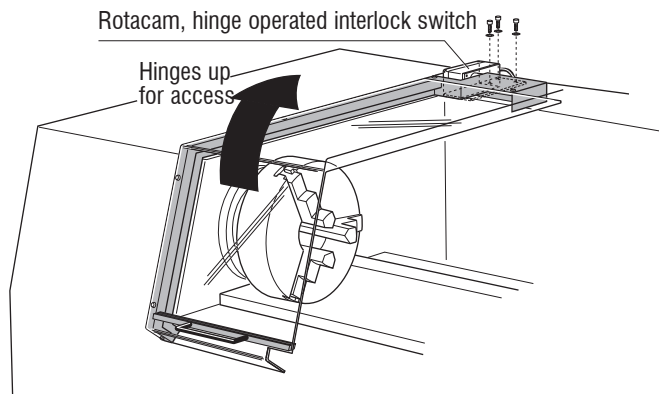
- Ease of installation
- Light but very strong and easy to use
- Good visibility in working conditions
- Electrically Interlocked as standard
- Optional gas spring to assist guard movement



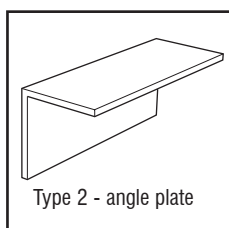
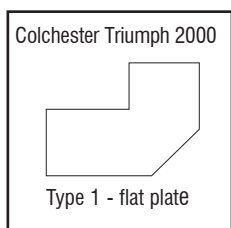
Lathe Guards

CLG chuck guard

The CLG-301 lathe guard is designed to fit the Colchester Triumph 2000 lathe or similar. Additional fixing brackets may be required for certain machines. See types 1 & 2 below. There is a gas strut conversion kit available for this guard type which will reduce wear and damage to the guard by preventing the guard from being dropped and slammed against the mounting bracket stop.



Two types of mounting bracket are available



CLG - Dimensions in mm

