

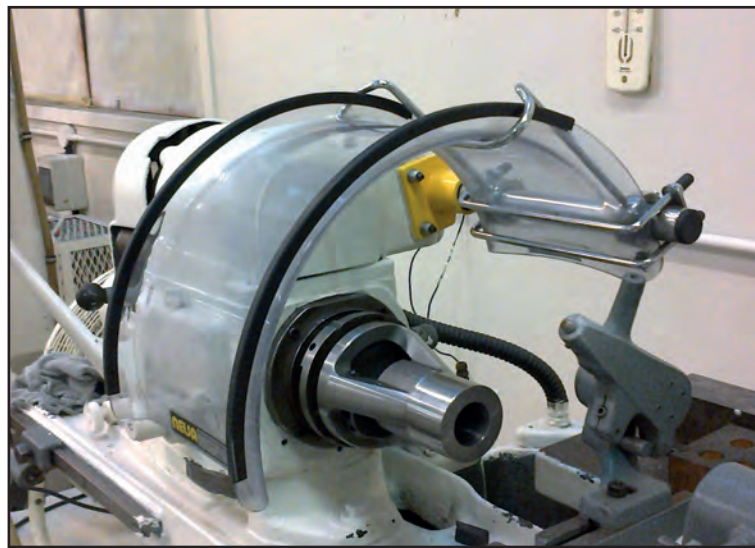
## features

High impact resistant  
clear PVC

An efficient Lathe Guard  
which gives maximum  
operator protection  
with good visibility, fast  
& easy access to  
the workpiece

Choice of mounting brackets

Electrical Interlocks



## Lathe Guards

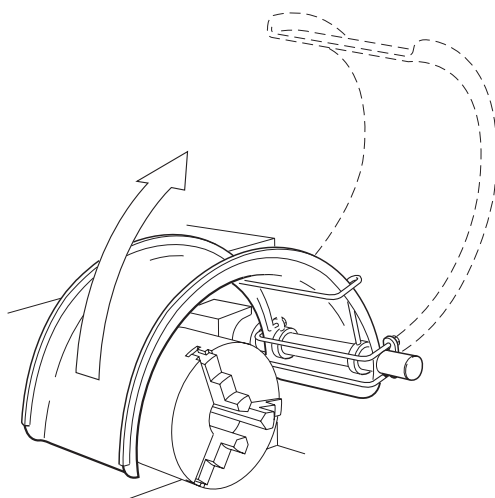
### the LXS lathe chuck guards

The LXS Lathe Chuck Guard consists of a semicircular construction made from moulded high impact resistant transparent material which is mounted on to a chromium plated extension tube, fastened to the headstock of the lathe with one of the various types of mounting brackets.

The semicircular guard covers the upper half of the lathe chuck as shown above.

Access to the workpiece is quick and easy, the guard is lifted and hinged away from the operator to access the chuck.

The size of the guard required is dependant on the centre height of the lathe and the diameter of the chuck. On lathes up to a centre height of 178mm there is only a small variation in diameter between the 3 and 4 jaw chucks, and therefore one size of guard will suffice.

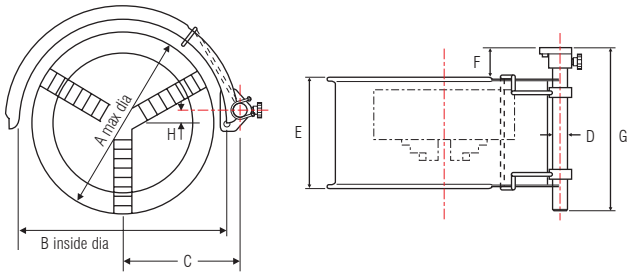


### mounting bracket with safety interlock

The chromium plated extension tube to which the guard is fastened is mounted to the headstock of the lathe by means of a universal mounting bracket incorporating an electrical safety interlock. The interlock incorporates cam operation, is sealed to IP 66 and conforms to EN 1088 and EN 60947-5-1.

### mounting bracket without safety interlock

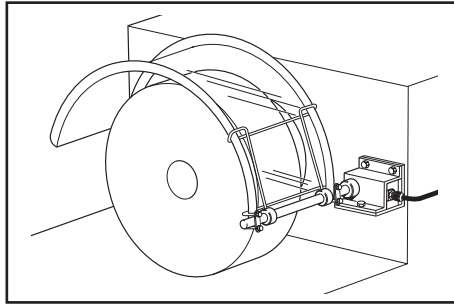
There are two options for mounting the non interlocked version of the LXS lathe guard to the headstock of the lathe. As above the chromium plated extension tube to which the guard is fastened is mounted to the headstock of the lathe by means of either Type A (LXS650) for horizontal face mounting or TYPE B (LXS652) for vertical face mounting.



Model	A	B	C	D	E	F	G	H
LXS-200	140	200	128	25	165	60	250	35
LXS-200E	140	200	128	25	165	85	310	35
LXS-300	240	300	178	25	165	60	250	35
LXS-300E	240	300	178	25	165	85	310	35
LXS-400	340	400	228	25	203	60	290	35
LXS-400E	340	400	228	25	203	85	310	35
LXS-500	440	500	278	25	203	60	290	35
LXS-500E	440	500	278	25	203	85	310	35
LXS-600	540	600	328	25	203	60	290	35
LXS-600E	540	600	328	25	203	85	310	35

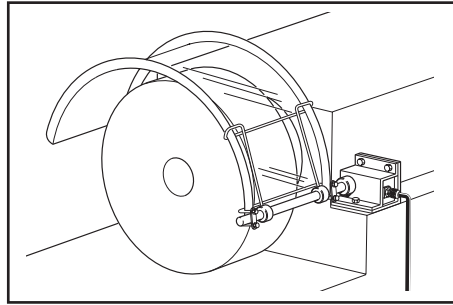
Model No.s with the letter 'E' at the end represent model with interlock

### Mounting locations using universal mounting bracket with safety interlock



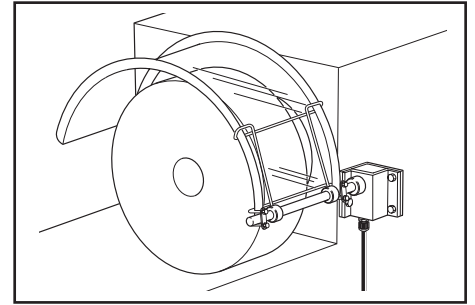
#### Face mounted

Guard mounted to the face of the headstock with universal mounting bracket incorporating Rotacam safety interlock switch.



#### Recess top mounted

Guard mounted in the top recess of the headstock with universal mounting bracket incorporating Rotacam safety interlock switch.

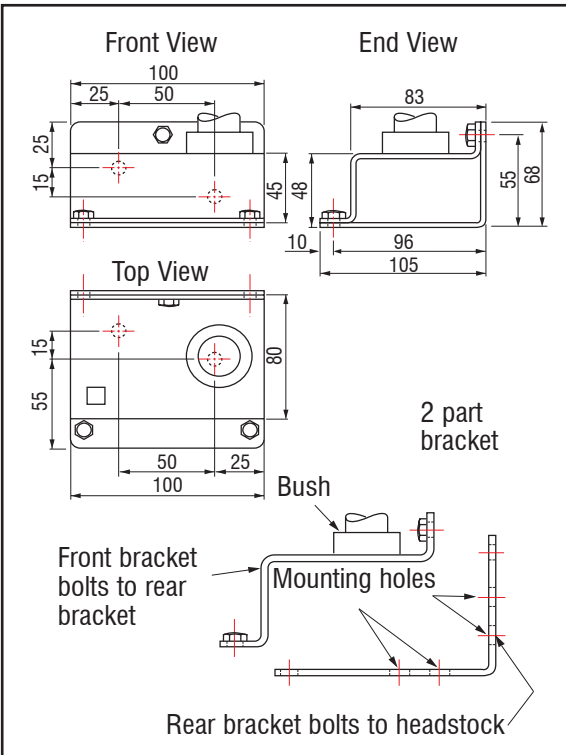


#### Back mounted

Guard mounted to the back of the headstock with universal mounting bracket incorporating Rotacam safety interlock switch.

**Important:** In the best interests of safety we recommend the use of safety interlocks where practically possible.

### universal mounting bracket dimensions



### mounting locations, Note: no safety interlock

<b>Mounting locations</b>		
<b>Fixing brackets</b>	<p>Type A Model No. LXS 650</p>	<p>Type B Model No. LXS 652</p>
<b>Comments</b>	Bracket type A is used when mounting to the top or the rear of the headstock	Bracket type B is used when mounting to the vertical face of the headstock

### ordering instructions

Select the guard required from the selection chart. If you have selected a guard with an electrical interlock, no further information is required. For guards without interlocks you need to specify the type of mounting bracket required from the above table. If no mounting bracket is specified then a type 'B' bracket will be supplied.